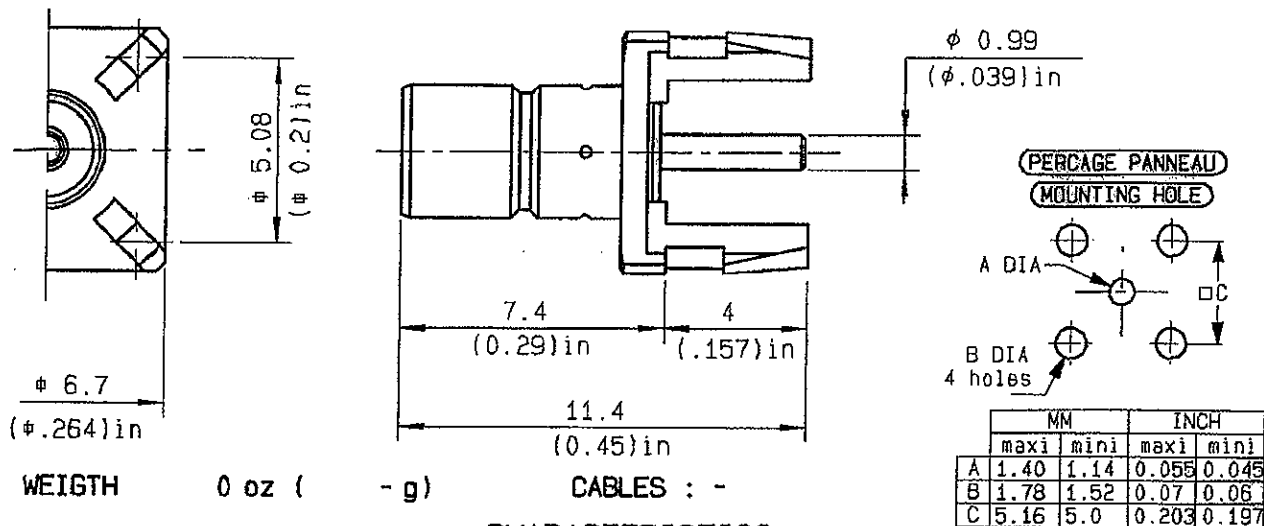


93.0400.452



WEIGHT 0 oz ( - g) CABLES : -

CHARACTERISTICS

NOMINAL IMPEDANCE	50 $\Omega$	STANDARDISATION	
FREQUENCY RANGE	0-4 GHz	NF	C93-562/KMC -
TEMPERATURE RATING	-65/165 °C	CECC	22131-803/02 -
VSWR	NA Max	MIL-STD	348-311/SMB -
RF INSERTION LOSS	NA F dB Max	CEI	169-10/SMB -
VOLTAGE RATING	335 Vrms Max	BS	9210N0007/SMB -
DIELECTRIC WITHSTANDING VOLTAGE	1000 Vrms min	CABLE RETENTION	NA lb min N
INSULATION RESISTANCE	1000 M min	CENTER CONTACT RETENTION	
HERMETIC SEAL	NA go/s	Axial force - mating end	10 lb min N
LEAKAGE (pressurized only)	NA Atm.cm3/s	Axial force - opposite end	10 lb min N
	NA psi	Torque (Min)	NA Inch.oz cm.N
	NA MPa	RECOMMENDED TORQUES	
		Mating	NA Inch. lb cm.N
		Panel nut	NA Inch. lb cm.N
		Clamp nut	NA Inch. lb cm.N

CONSTRUCTION

CONNECTOR PARTS	MATERIALS	FINISH
BODY	BRASS	TIN
OUTER CONTACT	-	-
CENTER CONTACT	BRASS	GOLD
INSULATOR	PTFE	-

ISSUE	REVISION No	DESCRIPTION	BY	DATE

Initiated on 18-11-93

The information given here is subject to change without notice. Design changes may be in order to improve the product.



Superseded on

ZEMLOK